

# *POWER* STEERING

## CYLINDERS & CONTROL VALVES MEDIUM & HEAVY DUTY APPLICATIONS



**BENDIX**

Catalog #5CYL  
Revised - May 2013

**ROSS / TRW**

**GARRISON**

Copyright © 2013 Steering Rebuilders & Truck Parts,  
Inc. All rights reserved

**VICKERS**

**S RTP, INC.**

**STEERING REBUILDERS & TRUCK PARTS, INC.**

764 COUNTY ROAD 383 - CLEVELAND, TEXAS 77327

**PHONE: (281) 386-7229 FAX: (281) 432-1332 E-MAIL: rwhitten\_srtp@yahoo.com**

# "SRTP, INC"

STEERING REBUILDERS & TRUCK PARTS, INC.

764 CR 383 - CLEVELAND, TEXAS 77327 Ph: #281.386.7229 Fax: #281.432.1332 Web: [www.srtp.us](http://www.srtp.us)

## TABLE OF CONTENTS

### "CYLINDER / VALVE IDENTIFICATION"

#### **BENDIX**

Cylinders / Valves: Page #2

#### **GARRISON**

Cylinders / Valves & Parts: Page #'s 3-5

#### **ROSS / TRW**

Cylinders & Parts: Page #'s 6-7

#### **SAGINAW**

Cylinders & Parts: Page #8

#### **VICKERS**

Cylinders / Valves & Parts: Page #9

# “SRTP, INC”

STEERING REBUILDERS & TRUCK PARTS, INC.

764 CR 383 - CLEVELAND, TEXAS 77327 Ph: #281.386.7229 Fax: #281.432.1332 Web: [www.srtp.us](http://www.srtp.us)

## REMANUFACTURED “BENDIX” CYLINDERS & VALVES

(NOTE: Call for “P&A” before ordering, these cylinders & valves may be “R&R” only!)

COMMON APPLICATIONS: Late 60’s - Early 70’s AUTOCAR / WHITE, DODGE, FORD

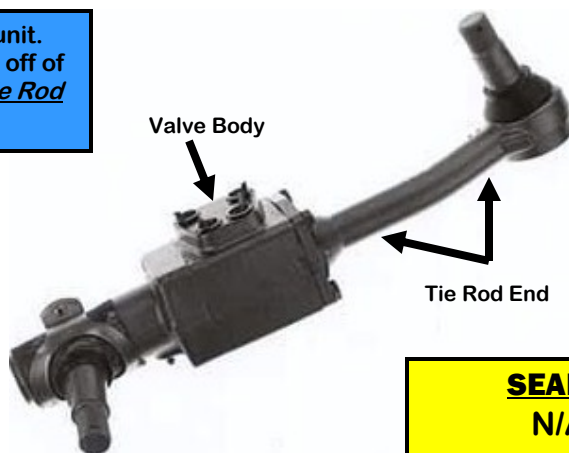
To Order, Look in the **AREAS** where the **BOLD ARROWS** are pointing for part number needed to Order unit with. Refer to illustrations below for info needed.

**NOTE 1:** It maybe necessary to Clean and Wire Brush the unit to locate Part Numbers.

**NOTE 2:** These units may be “R&R” only depending on parts availability. Call 281/386-7229 for details

### Typical “BENDIX” Control Valve

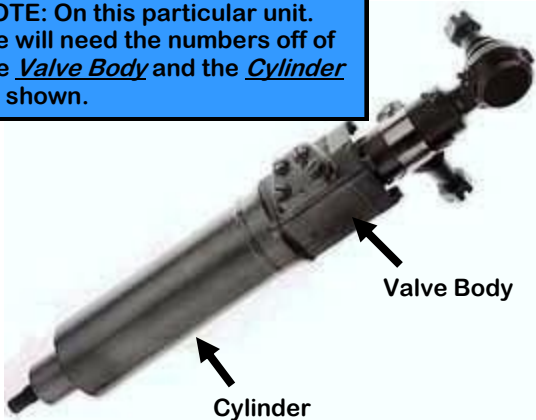
NOTE: On this particular unit. We will need the numbers off of the Valve Body and the Tie Rod End as shown.



**SEAL KITS & PARTS**  
N/A for this unit

### Typical “BENDIX” Cylinder & Valve

NOTE: On this particular unit. We will need the numbers off of the Valve Body and the Cylinder as shown.



### Typical “BENDIX” Cylinder

NOTE: On this particular unit. We will need the numbers off of the Cylinder body as shown.



**SEAL KITS & PARTS**  
N/A for either of these units

# “SRTP, INC”

STEERING REBUILDERS & TRUCK PARTS, INC.

764 CR 383 - CLEVELAND, TEXAS 77327 Ph: #281.386.7229 Fax: #281.432.1332 Web: [www.srtp.us](http://www.srtp.us)

REMANUFACTURED & NEW

## “GARRISON” CYLINDERS

To Order, Look in the **AREAS** where the **BOLD ARROWS** are pointing for part number need to order unit with. Example: #2820

NOTE 1: *It may be necessary to Clean and Wire Brush Cylinder to locate Number*

NOTE 2: Call for “P&A”. Depending on core availability, Customer wanting to purchase a Remanufactured cylinder, may have to send theirs in for “R&R”. New is available up on request.



Typical “Garrison” Cylinder

REMANUFACTURED & NEW

## “GARRISON” CONTROL VALVES

To Order, Look in the **AREAS** where the **BOLD ARROWS** are pointing for part number needed to order unit with. Example: GB2196L

NOTE 1: *It may be necessary to Clean and Wire Brush Cylinder to locate Number*

NOTE 2: Call for “P&A”. Depending on core availability, Customer wanting to purchase a Remanufactured cylinder, may have to send theirs in for “R&R”. New is available up on request.



Typical “Garrison” Valve

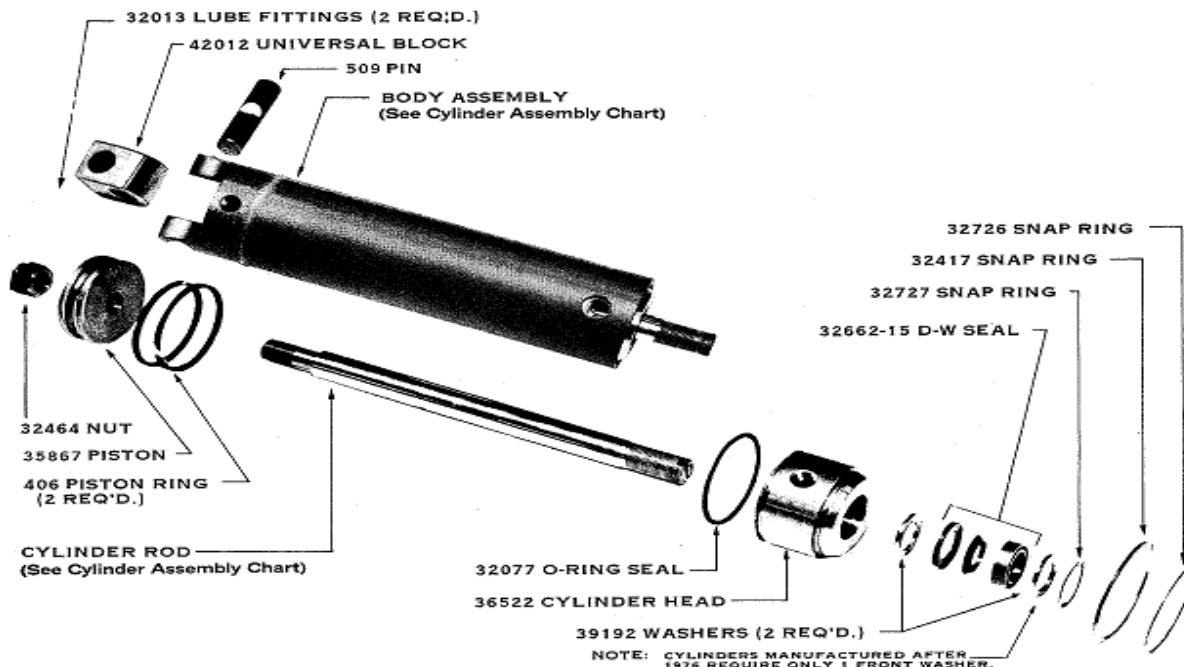
# “SRTP, INC”

**STEERING REBUILDERS & TRUCK PARTS, INC.**

764 CR 383 - CLEVELAND, TEXAS 77327    Ph: #281.386.7229    Fax: #281.432.1332    Web: [www.srtp.us](http://www.srtp.us)

## “GARRISON” CYLINDERS

### “SEAL KITS & PARTS”



**SERVICE SEAL KIT =  
SRTP #2896**

**2.5" CYLINDER ASSEMBLY CHART**

**SERVICE SEAL KIT =  
SRTP #2897**

**3" CYLINDER ASSEMBLY CHART**

Cylinder Assembly #	Working Stroke	Body Assembly #	Cylinder Rod #	Cylinder Assembly #	Working Stroke	Body Assembly #	Cylinder Rod #
2806	6.5	34817	34829	2816	6.5	34823	34829
2807	7.5	34818	34830	2817	7.5	34824	34830
2808	8.5	34819	34831	2818	8.5	34825	34831
2810	10	34820	34832	2820	10	34826	34832
2811	11	34821	34833	2821	11	34827	34833
2812	12	34822	34834	2822	12	34828	34834

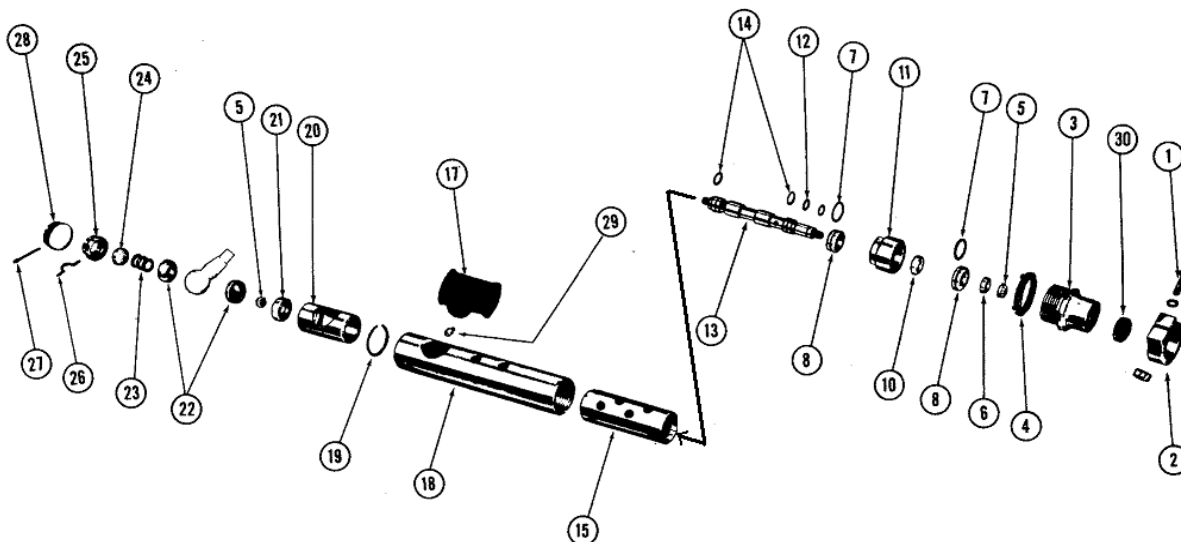
# “SRTP, INC”

**STEERING REBUILDERS & TRUCK PARTS, INC.**

764 CR 383 - CLEVELAND, TEXAS 77327    Ph: #281.386.7229    Fax: #281.432.1332    Web: [www.srtp.us](http://www.srtp.us)

## “GARRISON” VALVES

### “SEAL KITS & PARTS”



PART TYPE	ITEM NUMBER	SRTP PART #	PART TYPE	ITEM NUMBER	SRTP PART #
Service Seal Kit For 1. sq. in. reaction	#7 (2) Req., #12 (2) Req., #14 (2) Req., #30 (1) Req.	2199-1	Service Seal Kit For .5 sq. in. reaction	#7 (2) Req., #12 (2) Req., #14 (2) Req., #30 (1) Req.	2199-5
Service Seal Kit For .4 sq. in. reaction	#7 (2) Req., #12 (2) Req., #14 (2) Req., #30 (1) Req.	2199-4	Service Seal Kit For .7 sq. in. reaction	#7 (2) Req., #12 (2) Req., #14 (2) Req., #30 (1) Req.	2199-7

**NOTE: For parts not listed above, Please determine what Item # is needed along with part number off of Control Valve and call 281-386-7229.**

# “SRTP, INC”

**STEERING REBUILDERS & TRUCK PARTS, INC.**

764 CR 383 - CLEVELAND, TEXAS 77327    Ph: #281.386.7229    Fax: #281.432.1332    Web: [www.srtp.us](http://www.srtp.us)

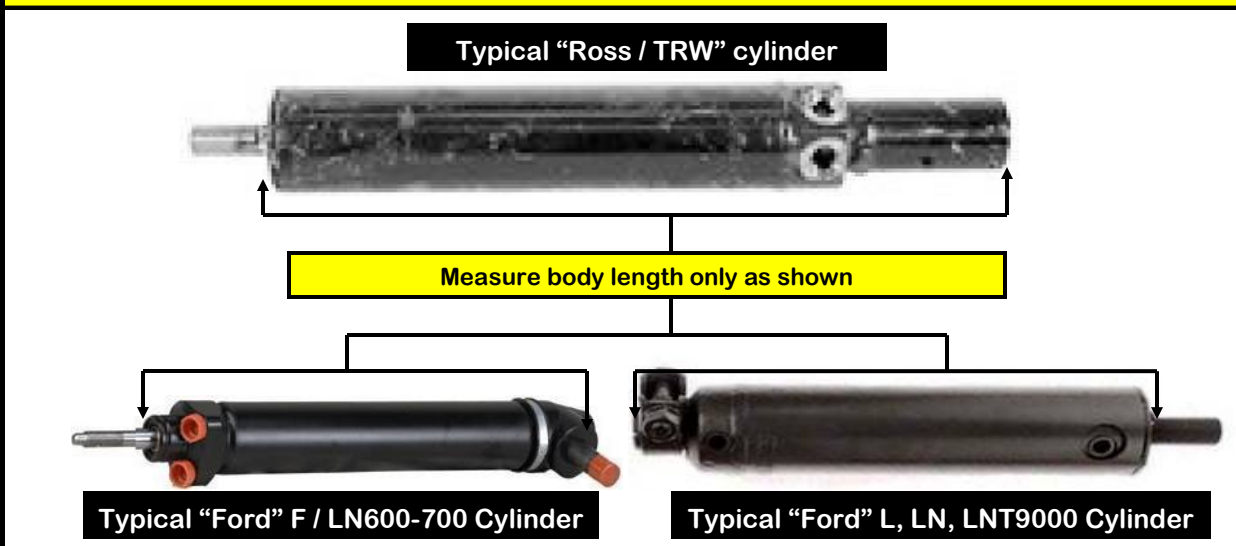
**REMANUFACTURED**

## “ROSS / TRW” CYLINDERS

**TO ORDER** correct cylinder you will need to provide us with Year, Make, Model and either #1 or #2:

**#1** - All applications, *except for “Ford” (See line item #2 below)*. Locate Mfg. part number Stamped in. Example: C285591100, C36561212007 & Etc.

**#2** - On “Ford” Applications only. Cylinders will generally have a “Ford” part number stamped in. Example: D6TA3A540AA, E4HZ3A540A. If no number can be found, then get Cylinder measurements as shown in illustrations below.



APPLICATION	OEM #	“POPULAR” ROSS / TRW #'s	BODY LENGTH	SRTP #
Autocar	1055815	C44453-A2-1400	N/A	9060
Ford: F/LN600-700	D0TZ-3A540A, D3TA3A540B, D3TA3A540C	C28553-1A-1000, HP280043	17”	9101
Ford: L / LN9000	DOHZ3A540A, DOHZ3A674B	C44547-1-900, HP440176	18.5”	9102
Ford: L / LN9000	E4HS3A540AA, E4HZ3A674A E4HZ3A540AA, E4HZ3A540B	HP360138	19.5”	9103
Ford: L / LN9000	DOHA3A540C, DOHZ3A540E	C365511, HP360105	21.5”	9104
Ford: F/LN600-700	D3TA3A540A, D6TA3A540A, D6TZ3A540A	HP280050	19”	9106
Ford	D6HZ3A540A	C28556-A-30900	N/A	9107
International	556799C91	C28559-1-100	N/A	9150
Peterbilt	10-02675	C28580-1-1300	N/A	9205
Peterbilt	10-02678	C28570-1-1481	N/A	9206
Peterbilt	10-02676 or 10-02676A	C28582-1-1300	N/A	9207

# “SRTP, INC”

**STEERING REBUILDERS & TRUCK PARTS, INC.**

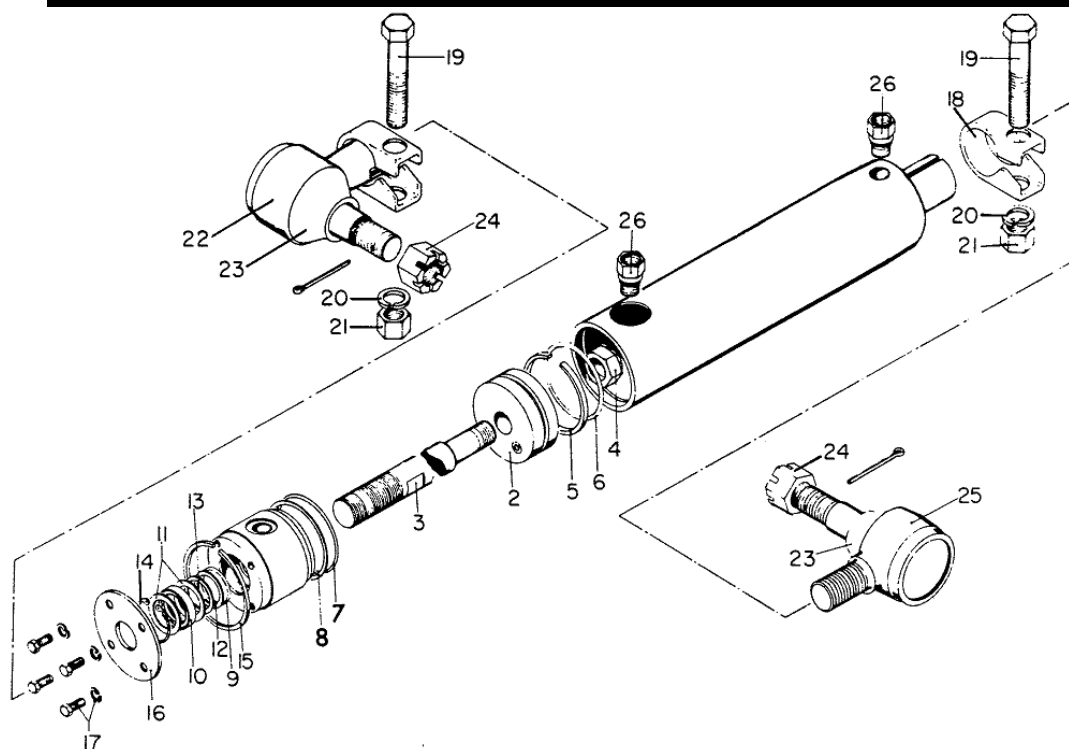
764 CR 383 - CLEVELAND, TEXAS 77327    Ph: #281.386.7229    Fax: #281.432.1332    Web: [www.srtp.us](http://www.srtp.us)

## “ROSS / TRW” CYLINDERS

### “SEAL KITS & PARTS”

Typical “Ross / TRW” C28XXX-X-XXXX, C36XXX-X-XXXX, C44XXX-X-XXXX, HP28XXXX, HP36XXXX, HP44XXXX Series Cylinder Parts Breakdown. To order a “Seal Kit”, *We will need the Mfg. Stamped Number or Tag Number off of unit.* Call **281-386-7229** to check “Price & Availability”.

**TYPICAL EXPLODED VIEW OF ROSS / TRW CYLINDER SHOWN BELOW**



Description	Qty.	Description	Qty.
1 - Not Shown	1	9 - O-ring	1
2 - Piston S/A	1	10 - Oil Seal	2
3 - Rod / Shaft	1	11 - Washer	1
4 - Nut	1	12 - Backup Ring	1
5 - Piston Ring	1	13 - Washer	1
6 - O-ring	1	14 - Retaining Ring	1
7 - Backup Ring	1	15 - Retaining Ring	1
8 - O-ring	1	16 - End Cover	1



# “SRTP, INC”

**STEERING REBUILDERS & TRUCK PARTS, INC.**

764 CR 383 - CLEVELAND, TEXAS 77327    Ph: #281.386.7229    Fax: #281.432.1332    Web: [www.srtp.us](http://www.srtp.us)

**REMANUFACTURED**

## “SAGINAW” CYLINDERS

**TO ORDER “SAGINAW” Cylinder. You will need to provide us with either the Chevrolet / GMC Part Number or the Length of the Cylinder as shown in illustration below.**

Typical “Saginaw”  
Cylinder →



Weld to weld measurement needed to order - 11”, 12” & 13”

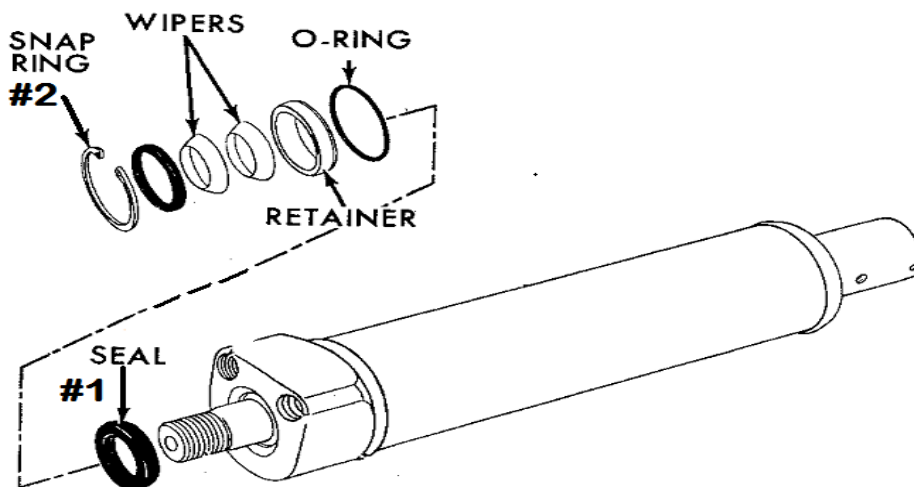
LENGTH (Weld to Weld)	APPLICATIONS C50 thru C90, Astro, Brigadier, General, Kodiak & Etc.	CHEVROLET / GMC PART NUMBER	SRTP PART NUMBER
11” weld to weld	Chevrolet / GMC	7825091	GM11
12” weld to weld	Chevrolet / GMC	7802292	GM12
13” weld to weld	Chevrolet / GMC	5688931	GM13

## “SAGINAW” CYLINDERS

### “SEAL KITS & PARTS”

PART TYPE	CONTENTS	SRTP PART NUMBER
Shaft Kit	Item #1, #2	8286

**Note: No other Parts are available for this Cylinder other than item #1 and #2 as shown.**



# “SRTP, INC”

**STEERING REBUILDERS & TRUCK PARTS, INC.**

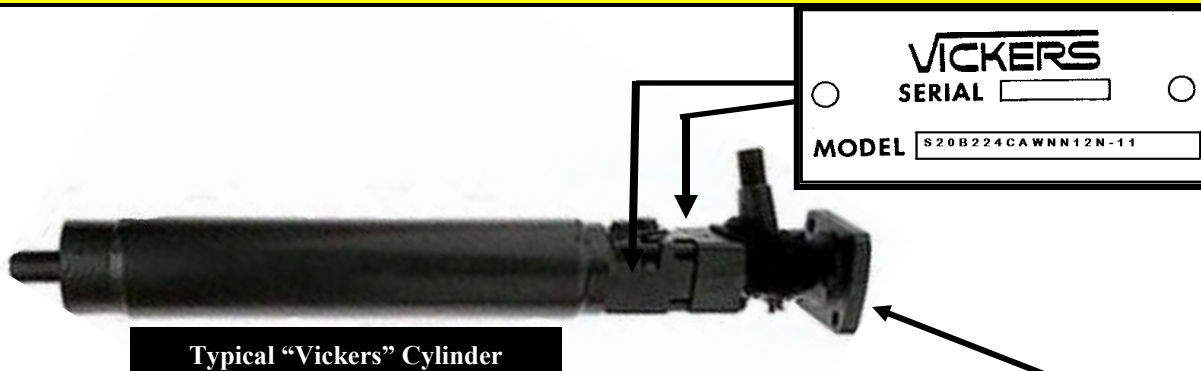
764 CR 383 - CLEVELAND, TEXAS 77327    Ph: #281.386.7229    Fax: #281.432.1332    Web: [www.srtp.us](http://www.srtp.us)

**“REMANUFACTURED”**

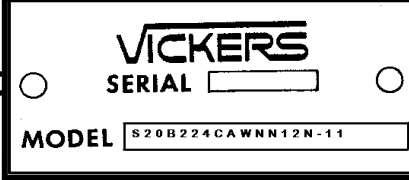
## “VICKERS” CYLINDERS & VALVES

**“S20”, S21”, “SC16, “SC22” & “SC26” Series**

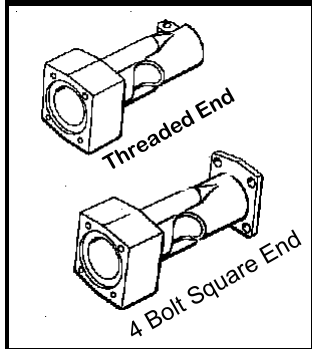
***TO ORDER*** Vickers Cylinder & Valve Assembly, Look for tag number located where ***BOLD ARROWS*** are pointing (Usually found on Valve Body). Refer to Tag Number illustration shown below.



**Typical “Vickers” Cylinder**



**Common Cylinder Ends**



### POPULAR NUMBERS

APPLICATION	CYLINDER TAG NUMBER	SRTP #
AUTOCAR	S20B223CAYCZ12B11	S20B22-12B
AUTOCAR	S20B224CAWNN12N11	S20B22-12N
CRAN CARRIER	S20B223CAZNN14N11	S20B22-14N
KENWORTH W900A	S20B223BAYNN17B11	S20B22-17B
PETERBILT 359	S20B223BAZNN14B11	S20B22-14B

**NOTE: For Part Numbers not listed, Call (281) 386-7229**

## VICKERS “S20” CYLINDERS & VALVES

**“SEAL KITS & PARTS”**

**CYLINDER SEAL KIT**

*For “S20” Series*  
**SRTP #922628**

**VALVE SEAL KIT**

*For “S20” Series*  
**SRTP #922625**

NO PARTS ILLUSTRATION AVAILABLE